

SECTION 4 DISASSEMBLING / TESTING

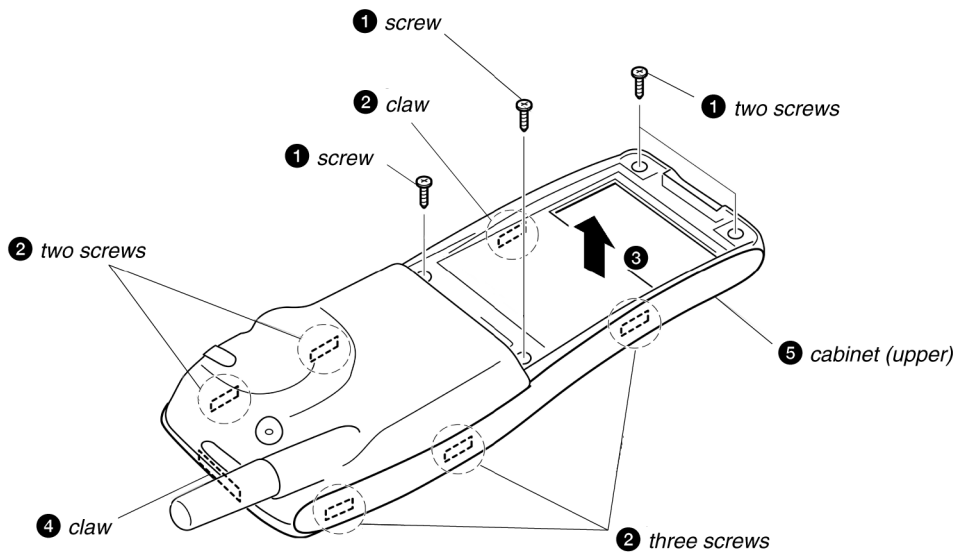
4.1 Disassembly

IMPORTANT NOTE :

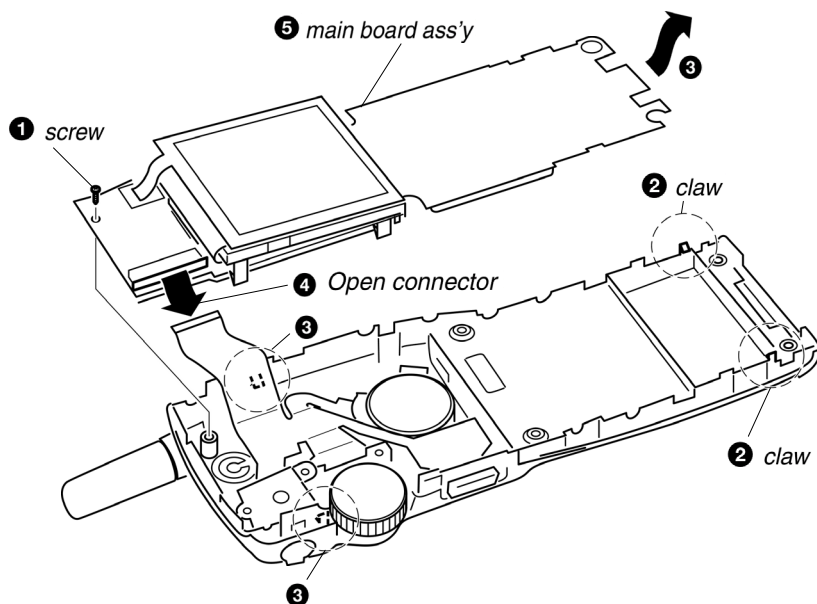
The IMEI number is the electronic identification of the hardware, which is stored electronically. There should be no discrepancy between the number on the sticker and the number within the set memory allowed. In case of replacing the lower cabinet it is to make sure that the IMEI Sticker mounted on the lower case (visible from the battery compartment) will be replaced to the new housing part as well.

Follow the disassembly procedure in the numerical order given.

CABINET UPPER

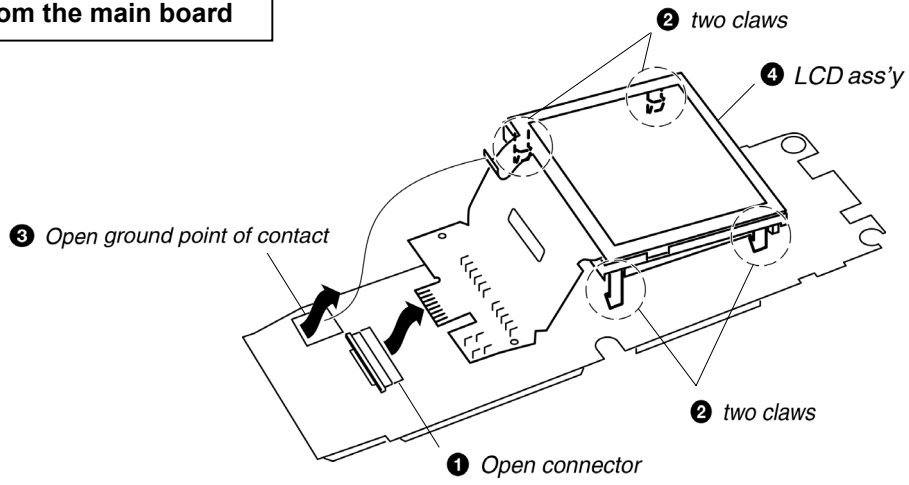


MAIN BOARD ASS'Y

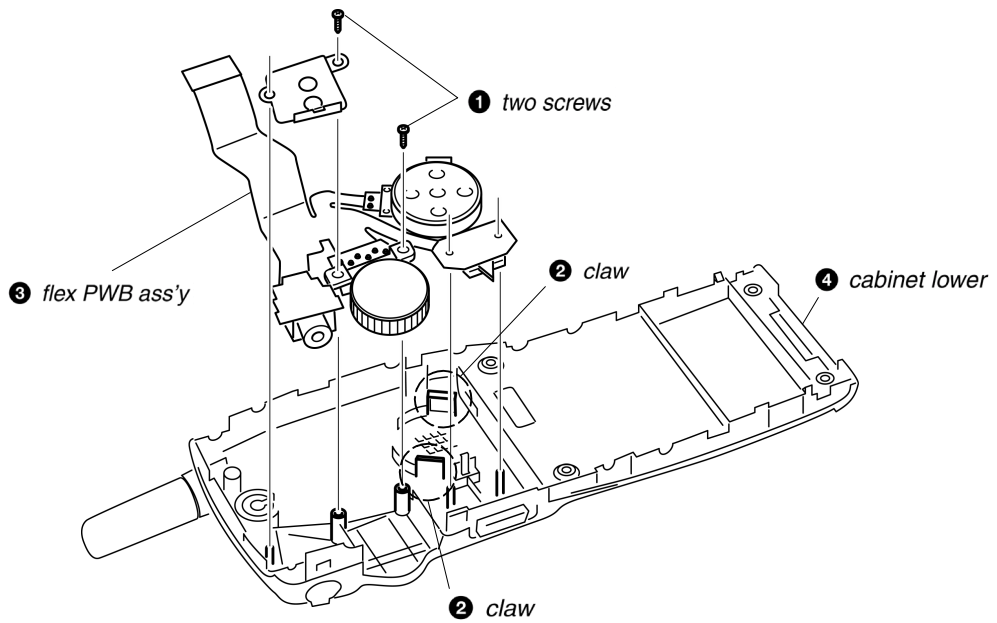


LCD

IMPORTANT:
Do not detach the shield case from the main board



CABINET LOWER



Re-assembly procedure :

To re-assemble the unit, apply the reverse order of the above mention disassembly procedure.